

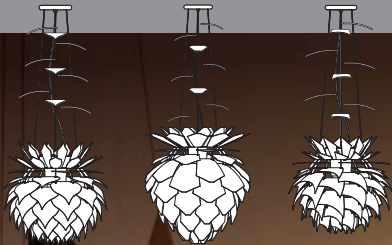
# ADVENT

ARCHITECTURAL LIGHTING INNOVATIONS

Ash

Elm

Oak

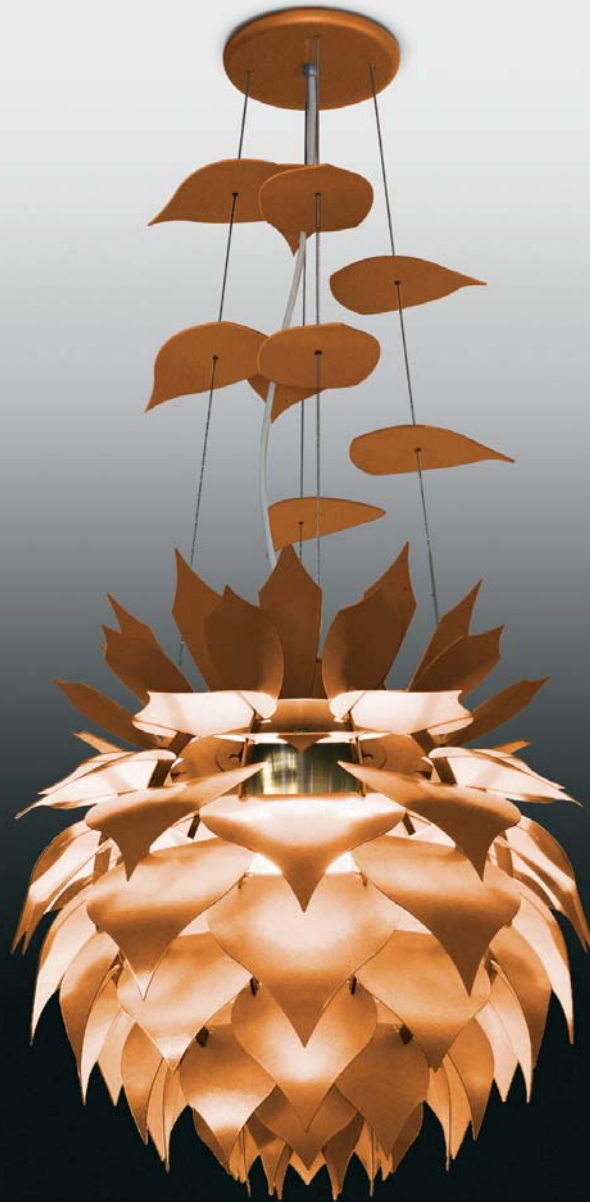


THE ARBOR COLLECTION



ADVENT A BRAND OF **SPI**LIGHTING INC.

# Ash



AIP11237

## Ash Interior Pendant

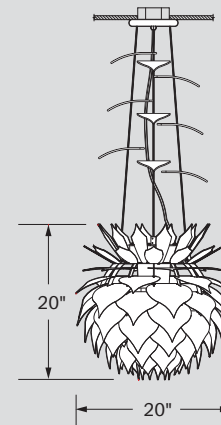
- Available in two sizes.
- Choose from a palette of metallic and traditional powder coat paints. Specify any of our 30 standard paint finishes.
- Fluorescent, HID and tungsten halogen lampings available. (see chart on page 5)
- Dimming available.
- Electronic ballast increases energy savings and performance.
- UL listed (US and Canada) for use in damp locations. Not recommended for exterior applications
- Aircraft cable accents
- Optional uplight available

## Make a Statement

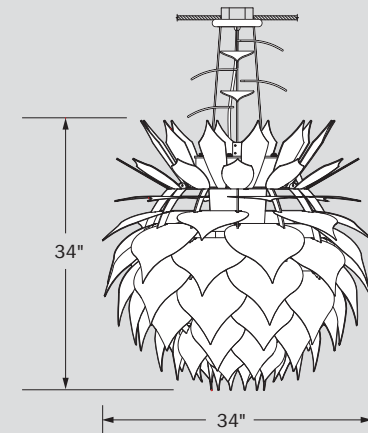


The artful, layered construction of these interior pendants is visually stunning. A subtly visible frosted glass lens fully-encloses the light source, producing an internal glowing effect, while still supplying the space with ample supplemental illumination. These eye-catching pieces are sure to make a bold visual statement.

## Available Sizes



AIP11237



AIP11238

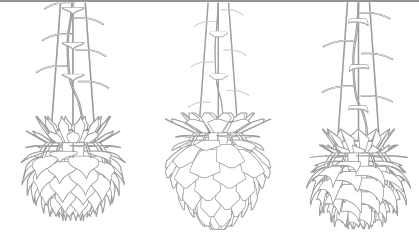
# Elm



AIP11239

## Elm Interior Pendant

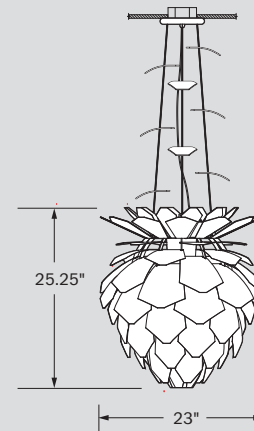
- Choose from a palette of metallic and traditional powder coat paints. Specify any of our 30 standard paint finishes.
- Affordable pricing.
- Available in two sizes.
- Fluorescent, HID and tungsten halogen lampings available. (see chart at right)
- Dimming available.
- Electronic ballast increases energy savings and performance.
- UL listed (US and Canada) for use in damp locations. Not recommended for exterior applications.
- Aircraft cable accents
- Optional uplight available



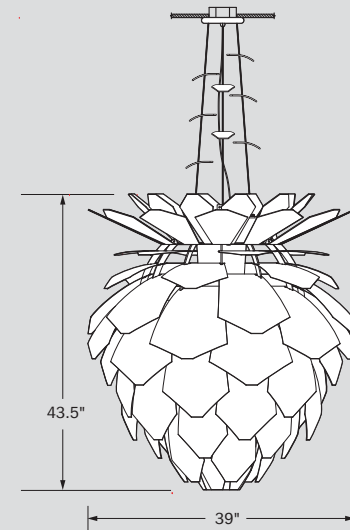
### Available Lampings (Ash, Elm and Oak)

<b>1F26</b>	(1) CFQ26W/G24q
<b>1F26DM</b>	(1) CFQ26W/G24q Dimming
<b>1F32</b>	(1) CFTR32W/GX24q
<b>1F32DM</b>	(1) CFTR32W/GX24q Dimming
<b>1M39</b>	(1) PSCMH39/T6/G12/U
<b>1M70</b>	(1) PSCMH70/T6/G12/U
<b>1T100</b>	(1) QTZ100W/T4

### Available Sizes



AIP11239



AIP11240

# Oak



AIP10915

## Oak Interior Pendant

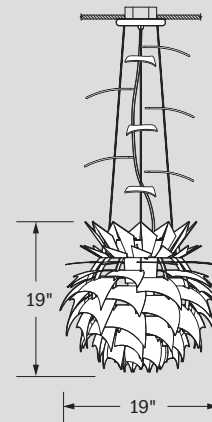
- Unique, multi-layered design.
- Available in two sizes.
- Choose from a palette of metallic and traditional powder coat paint. Specify any of our 30 standard paint finishes.
- Fluorescent, HID and tungsten halogen lampings available. (see chart on page 5)
- Dimming available.
- Electronic ballast increases energy savings and performance.
- UL listed (US and Canada) for use in damp locations. Not recommended for exterior applications.
- Aircraft cable accents
- Optional uplight available

## Pick Your Color (Ash, Elm and Oak)

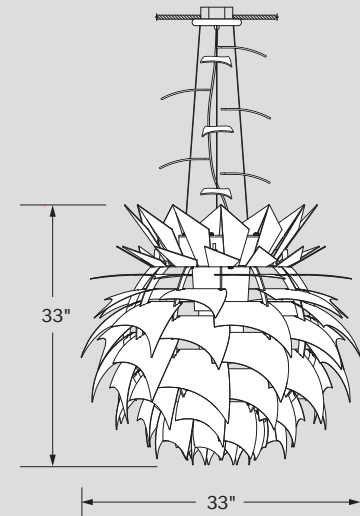


Standard thermoset polyester powder coat paint provides durable protection in a palette of color options. Custom colors available upon request.

## Available Sizes



AIP10915



AIP11058

# ADVENT

Ash, Elm and Oak  
Interior Pendants

